

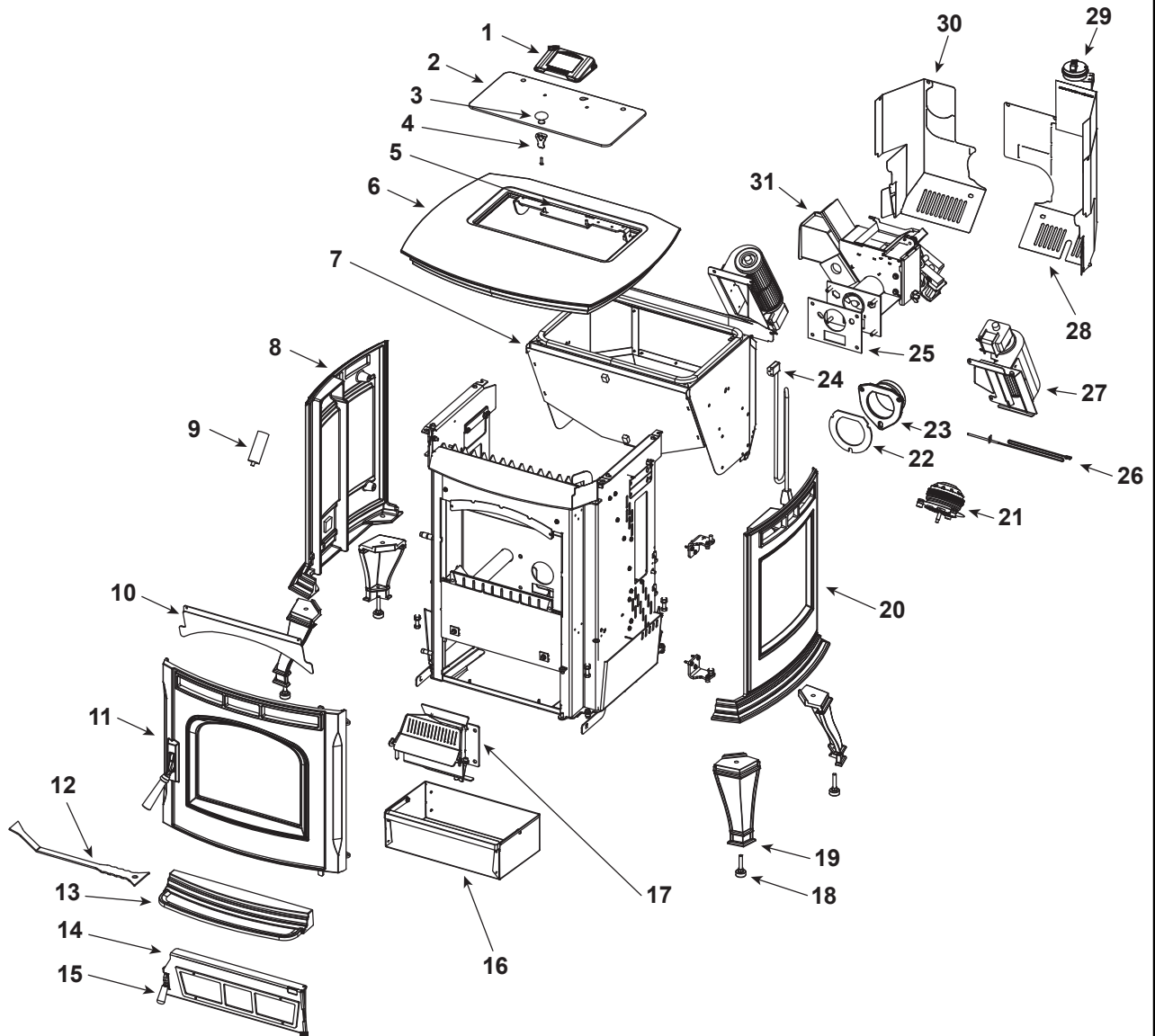
Pellet Stove

Beginning Manufacturing Date: March 2015

1-90-777000-1 (Black)

Ending Manufacturing Date: Active

1-90-777000-14 (Majolica Brown)



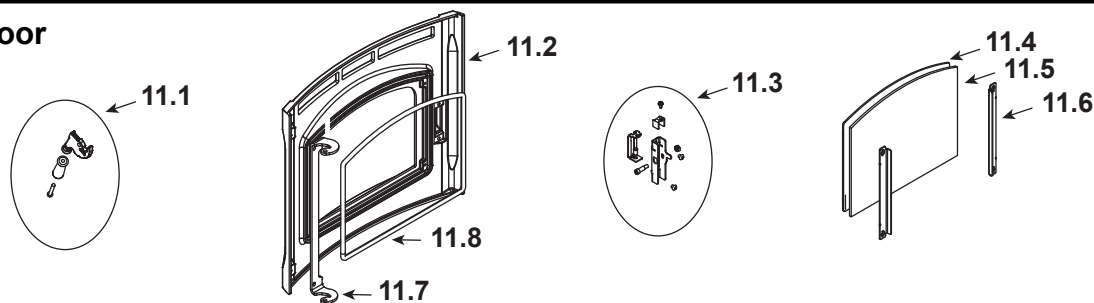
Part number list on following page.

IMPORTANT: THIS IS DATED INFORMATION. Parts must be ordered from a dealer or distributor. **Hearth and Home Technologies does not sell directly to consumers.** Provide model number and serial number when requesting service parts from your dealer or distributor.

Stocked at Depot

ITEM	DESCRIPTION	COMMENTS	PART NUMBER	
1	Touch Control		1-00-777552	
2	16 X 8 Hopper Lid Glass		3-40-777770	
	Screwposts/Washers	Pkg of 20 Sets	1-00-129004	
	Gasket 3/8 X 1/2	20 Feet	1-00-375501	
3	Black Plated Knob w/Screw		1-00-02000-1	
4	Complete Latch	2 Sets	1-00-0669697	
	5/16 X 1/2 Ball Plunger	Pkg of 3	3-31-5500-3	
	Bulk 5/16 Push Retainer	Pkg of 100	3-31-94807-100	
5	Hopper Lid Hinge w/Hardware		1-00-777771	
	Hopper Lid Hinge Pin Plates w/Hardware	1 Set	1-00-777560	
6	Cast Top	Black	4-00-247236S	
		Majolica Brown	1-00-247236-14	
7	Hopper Assembly		1-10-777611A	
	Gasket Hopper Throat		3-44-677185	
	Gasket 3/8 X 1/2	20 Feet	1-00-375501	
8	Left Side Cast	Black	4-00-777645P	
		Majolica Brown	1-00-777645-14	
9	Combustion Blower Capacitor		3-20-00276	
10	Smoke Shield		1-00-777593	

#11 Load Door



11	Load Door			
11.1	Cast Latch, Knob & Screw		1-00-0119	
	Wood Handle		3-40-00247	
11.2	Load Door Rope	Black	4-00-777565P	
		Majolica Brown	1-00-777565-14	
11.3	Latch Bracket w/Hardware	1 Set	1-00-777665	
	Rollers & Hardware	1 Set	1-00-77753	
11.4	Gasket 1/4 RD PSA	15 Feet	1-00-2312	
11.5	Glass w/Gasket		1-00-777000	
11.6	Glass Clips w/Hardware	1 Set	1-00-777619	
11.7	Load Door Hinge w/Hardware		1-00-777610	
11.8	Gasket 3/8 4 Strand	30 Feet	1-00-00888	

Additional service parts on following page.

IMPORTANT: THIS IS DATED INFORMATION. Parts must be ordered from a dealer or distributor. **Hearth and Home Technologies does not sell directly to consumers.** Provide model number and serial number when requesting service parts from your dealer or distributor.

Stocked at Depot

ITEM	DESCRIPTION	COMMENTS	PART NUMBER	
12	Burn Pot Scraper	Pkg of 10	2-00-777692-10	
13	Ashlip	Black	3-00-777644P	
		Majolica Brown	1-00-777644-14	
14	Ash Door, Complete		1-10-777570A	
	Gasket 3/8 4 Strand	20 Feet	1-00-1086204	
15	Ash Door Handle Assembly	1 Set	1-00-777149	
	Rollers & Hardware	1 Set	1-00-77723	
16	Ash Pan		1-10-777604A	
<p>#17 Burn Pot Assembly</p>				
17	Burn Pot Assembly			
17.1	Burn Pot Weldment		1-10-777801A	
	Gasket		3-44-724114	
17.2	Swing Plate & Flame Guide	1 Set	1-00-777818	
17.3	Igniter w/Bracket		1-00-777200	
17.4	Igniter Bracket Front	Pkg of 5	1-00-777815	
17.5	Burn Pot Grate		1-00-777800	
17.6	Burn Pot Clean Out w/Hardware		1-00-777824	
	1/4"-20x5/8	Pkg of 10	3-31-782108-10	
18	Leg Leveling Kit	1 Set	1-00-12302	
19	Leg w/Hardware	Black	1-00-249100	
		Majolica Brown	1-00-249100-14	
20	Right Side Cast	Black	4-00-777646P	
		Majolica Brown	1-00-777646-14	
21	Combustion Blower		1-00-02275	
	Fan Blade		1-10-574500A	
	Pound In Stud 6-32 X 1 1/4	Pkg of 30	1-00-53463220	
22	Gasket, Burn Pot / Tailpipe	Pkg of 5	1-00-07381	
23	Pellet Tailpipe, Cast		3-00-247237	
24	Power Cord		3-20-51578	
25	Gasket, Burn Pot / Tailpipe	Pkg of 5	1-00-07381	

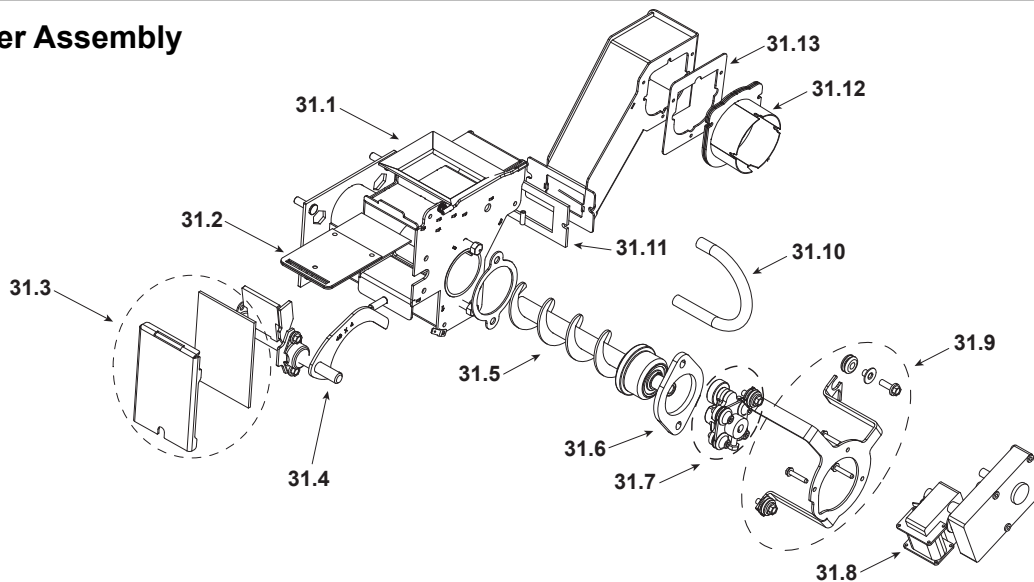
Additional service parts on following page.

IMPORTANT: THIS IS DATED INFORMATION. Parts must be ordered from a dealer or distributor. **Hearth and Home Technologies does not sell directly to consumers.** Provide model number and serial number when requesting service parts from your dealer or distributor.

Stocked at Depot

ITEM	DESCRIPTION	COMMENTS	PART NUMBER
26	ESP Probe-Red/Red		3-20-00844
27	Blower, 100CFM Transflow 120V	Qty 2 req	3-21-07775
28	Rear Cover, Left		1-00-777615
29	Differential Switch		3-20-6866
	Tubing, 1/8 Silicone	5 Feet	1-00-5113574
30	Rear Cover, Right		1-00-777613

#31 Feeder Assembly



31	Feeder Assembly		
31.1	Feeder Body		1-10-777513A
31.2	Slide Plate Assembly		1-10-777690A
31.3	Feed Cover & Gasket	2 Sets	1-00-677122
31.4	Pusher Arm		1-10-677187W
	Pillow Block	Pkg of 4	3-31-3614087-4
31.5	Auger		3-50-00565
31.6	Bearing Retainer w/Hardware		1-00-04035
	Cam Bearing		3-31-3014
31.7	Cam Block Assembly		1-10-777620A
31.8	4 RPM CW Outboard Motor, 120V		3-20-00677
31.9	Motor Mount w/Hardware		1-00-777598
31.10	Feeder Crossover Tube Kit		1-00-67900
31.11	Gasket, Snout	Pkg of 10	3-44-677160-10
31.12	Air Intake		1-10-06810A
31.13	Gasket, Air Intake	Pkg of 6	3-44-72224-6

Additional service parts on following page.

